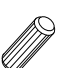
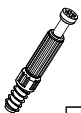

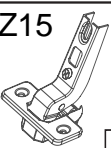


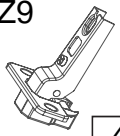


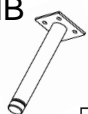
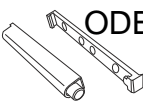
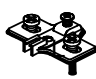
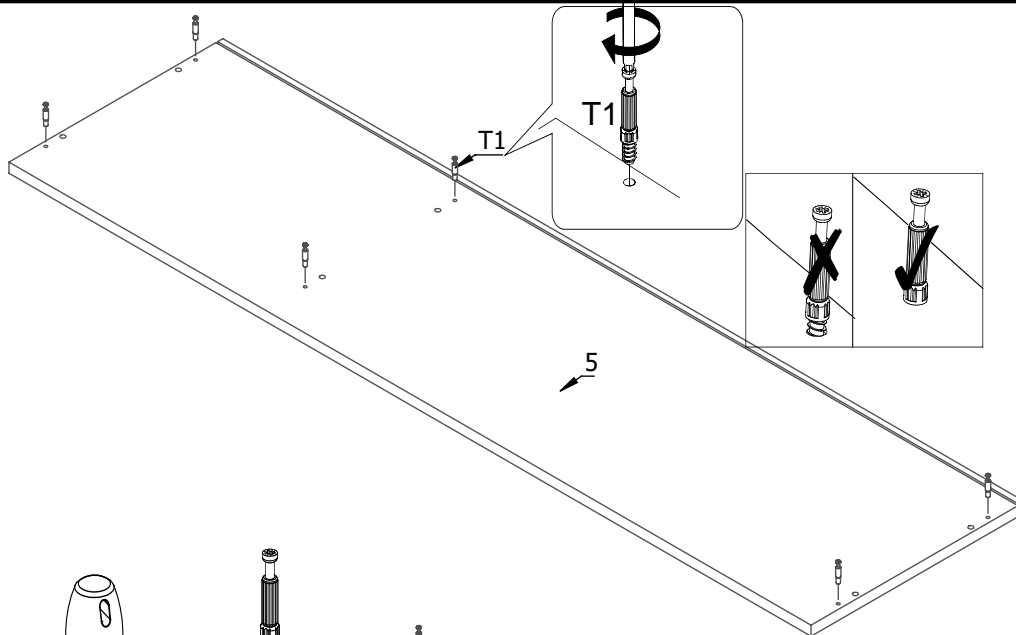
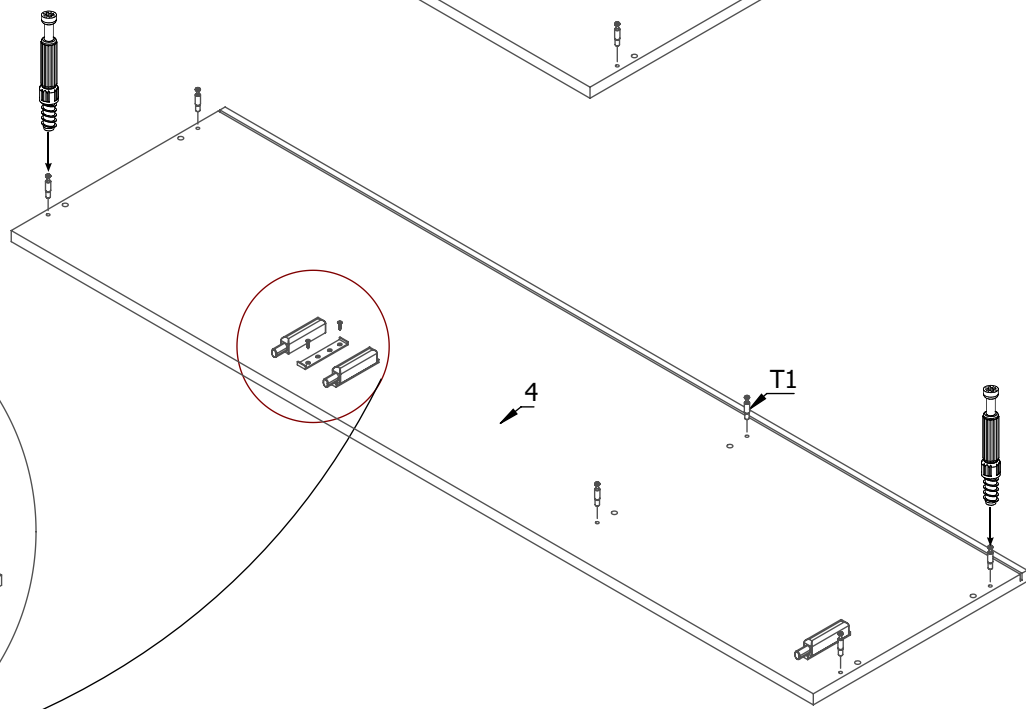
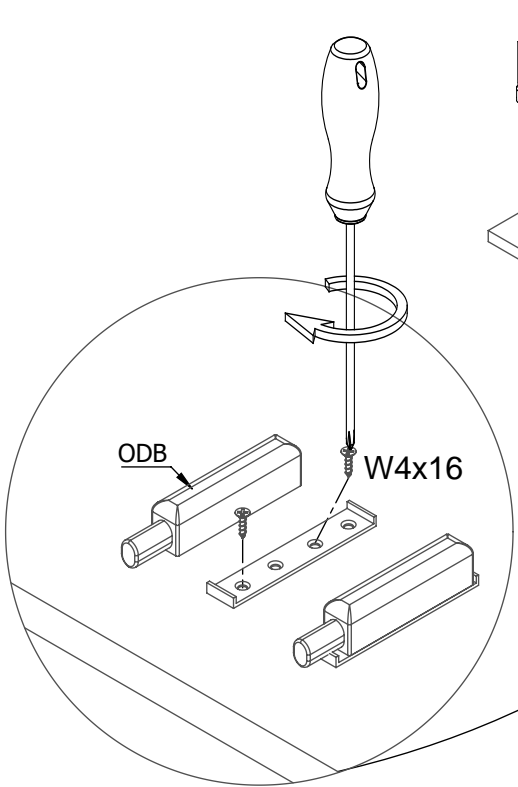


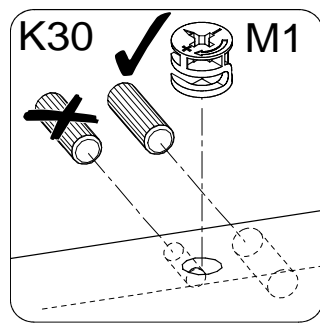
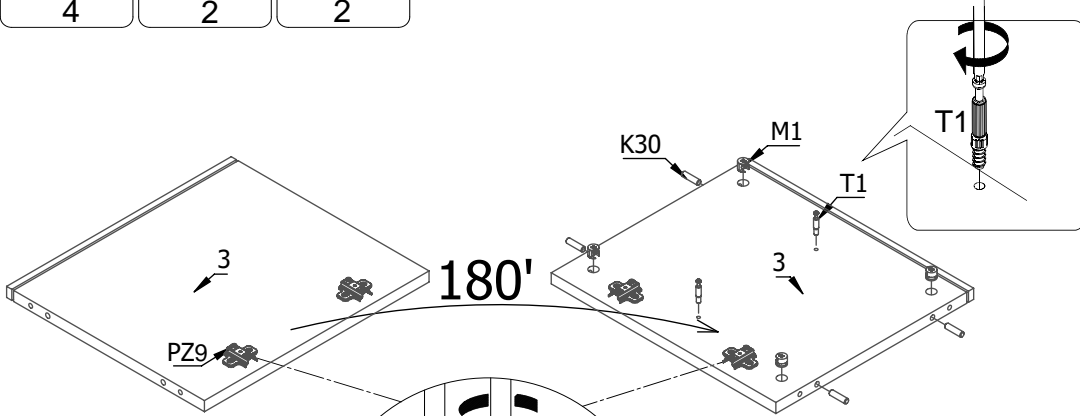
<p>K30</p>  <p>12</p>	<p>T1</p>  <p>16</p>	<p>M1</p>  <p>16</p>	<p>Z15</p>  <p>2</p>	<p>PZ</p>  <p>2</p>	<p>X</p>  <p>16</p>	<p>Z9</p>  <p>4</p>
<p>STB</p>  <p>10</p>	<p>W4x16</p>  <p>38</p>	<p>NB</p>  <p>5</p>	<p>ODB</p>  <p>3</p>	<p>PZ9</p>  <p>4</p>		







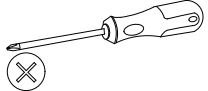
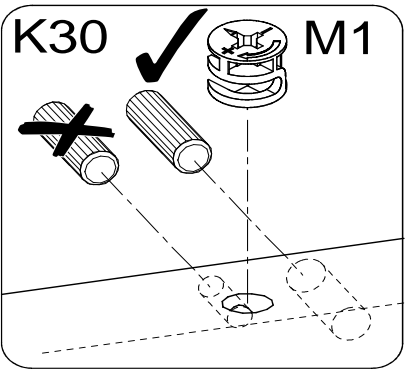
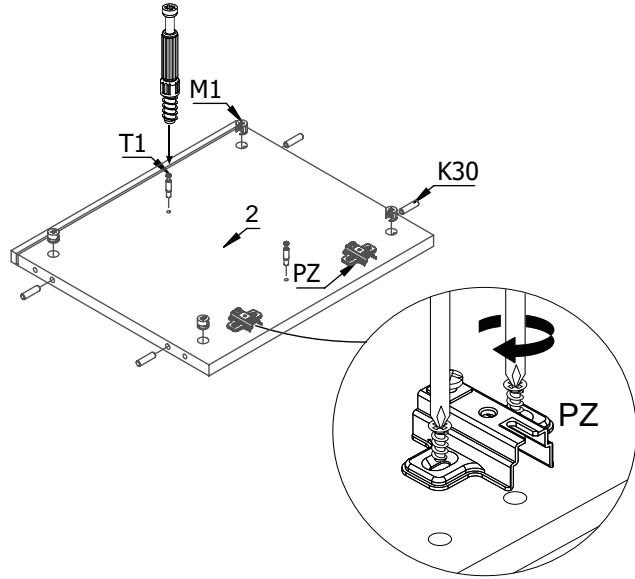
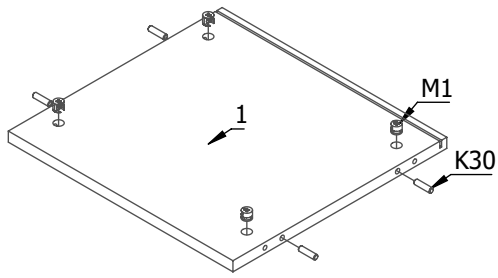
T1		ODB	
12		3	
		W4x16	
		6	




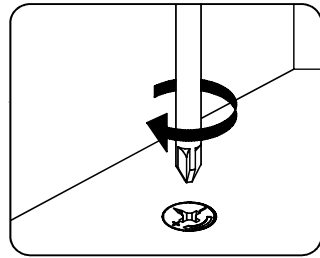
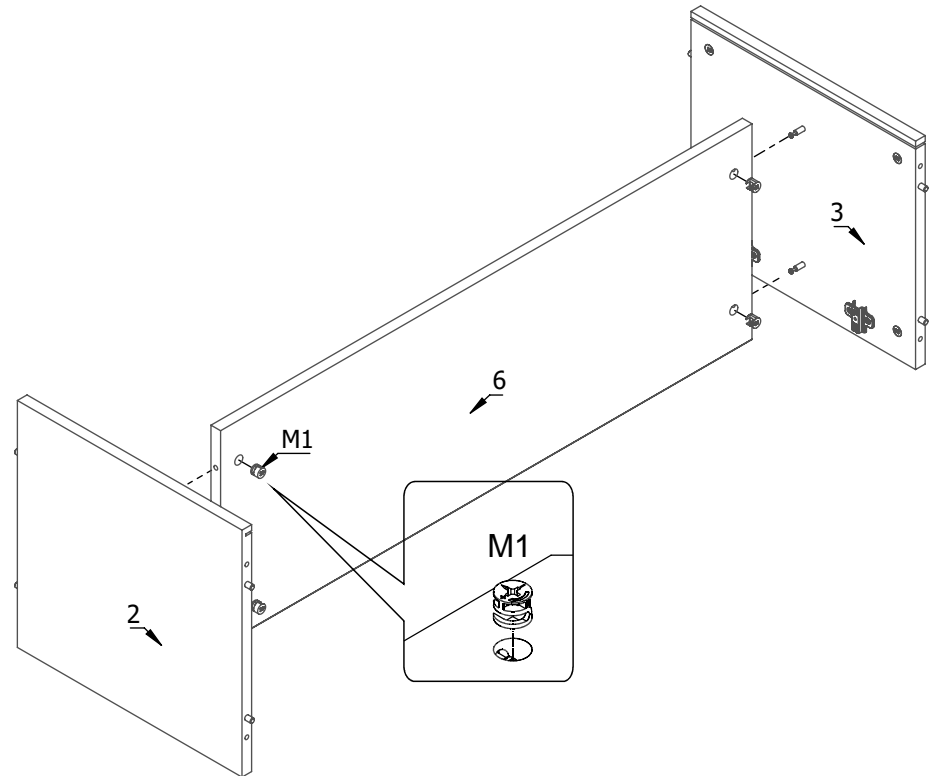
T1	PZ9	M1	K30
2	4	2	2

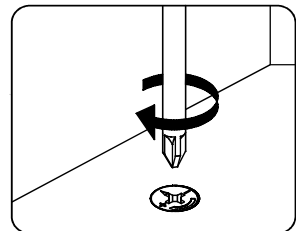
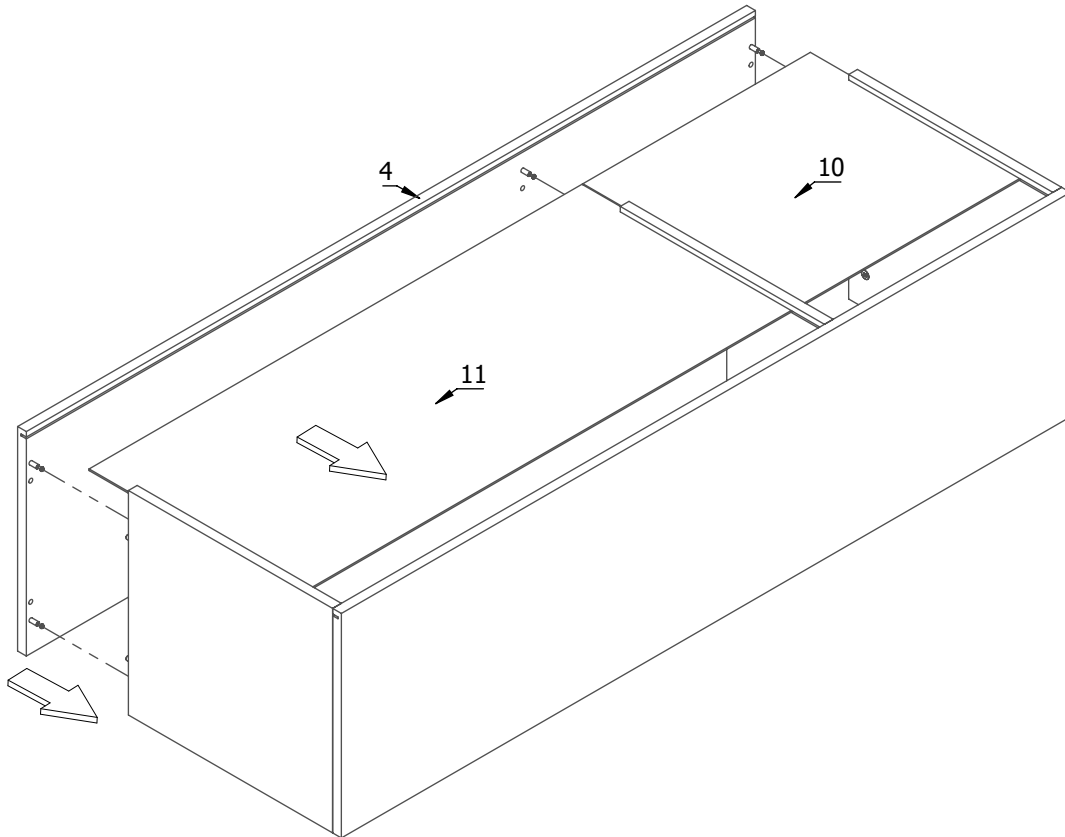
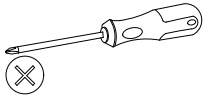
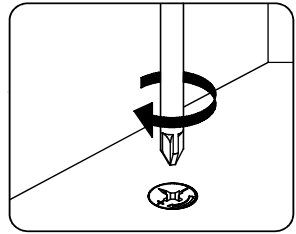
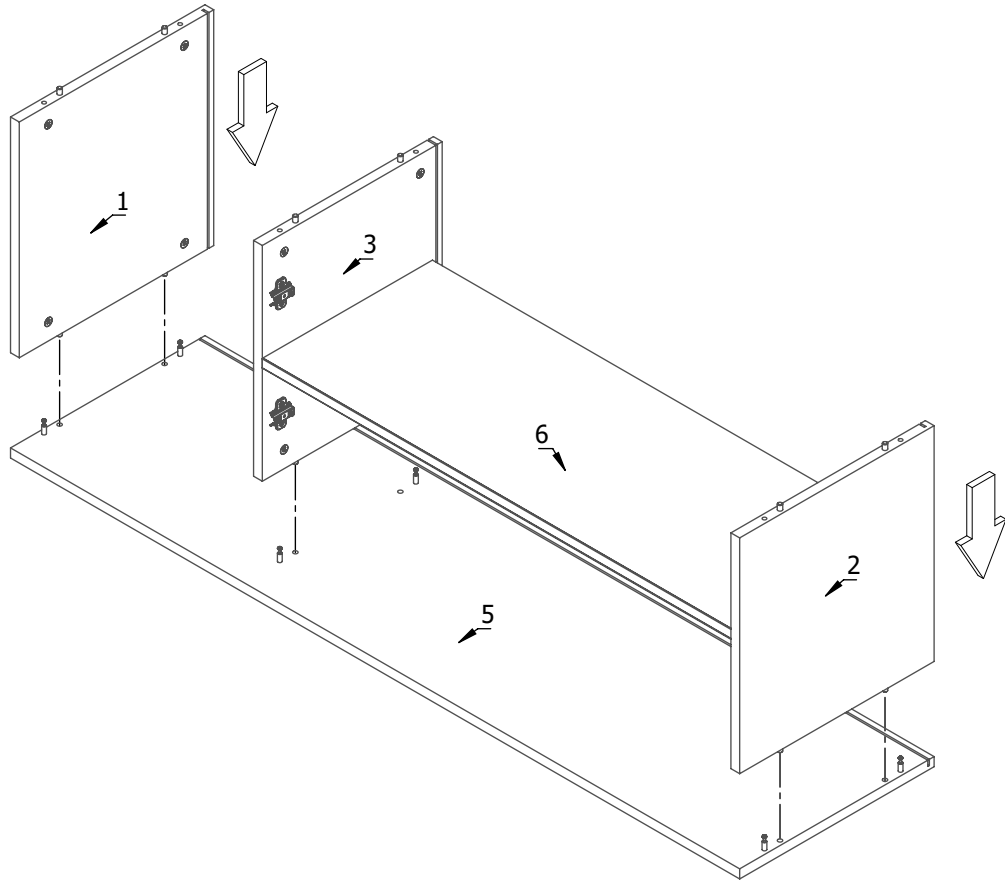
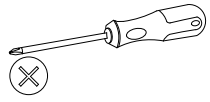





T1  2	PZ  2	M1  8	K30  8
---	---	---	--

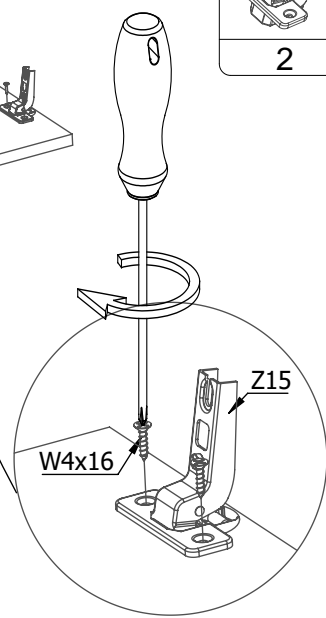
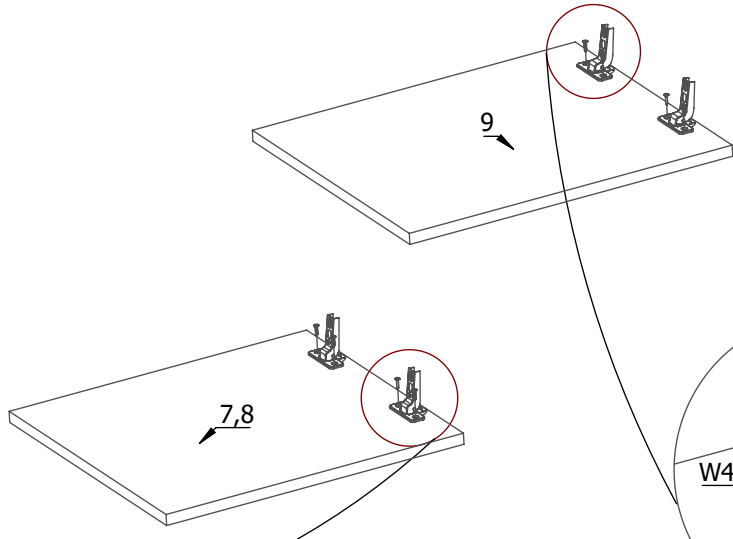
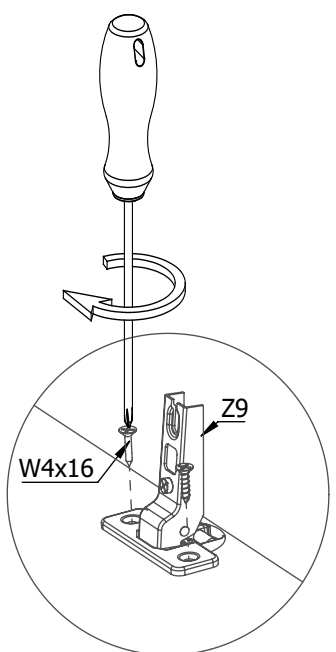
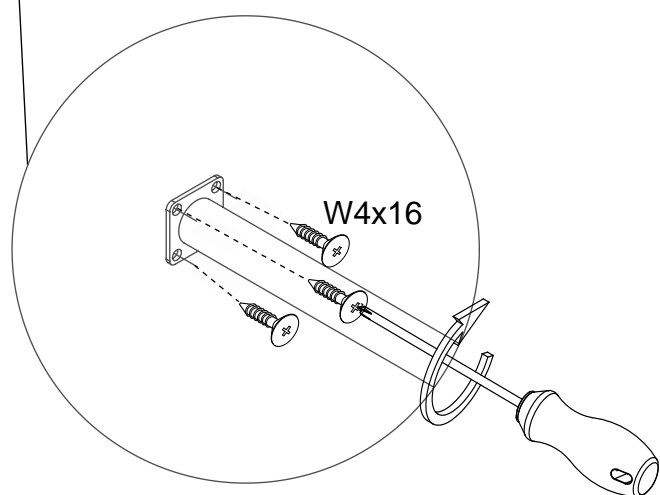
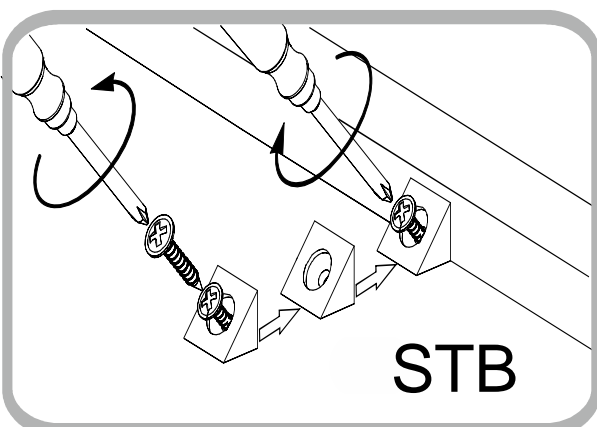
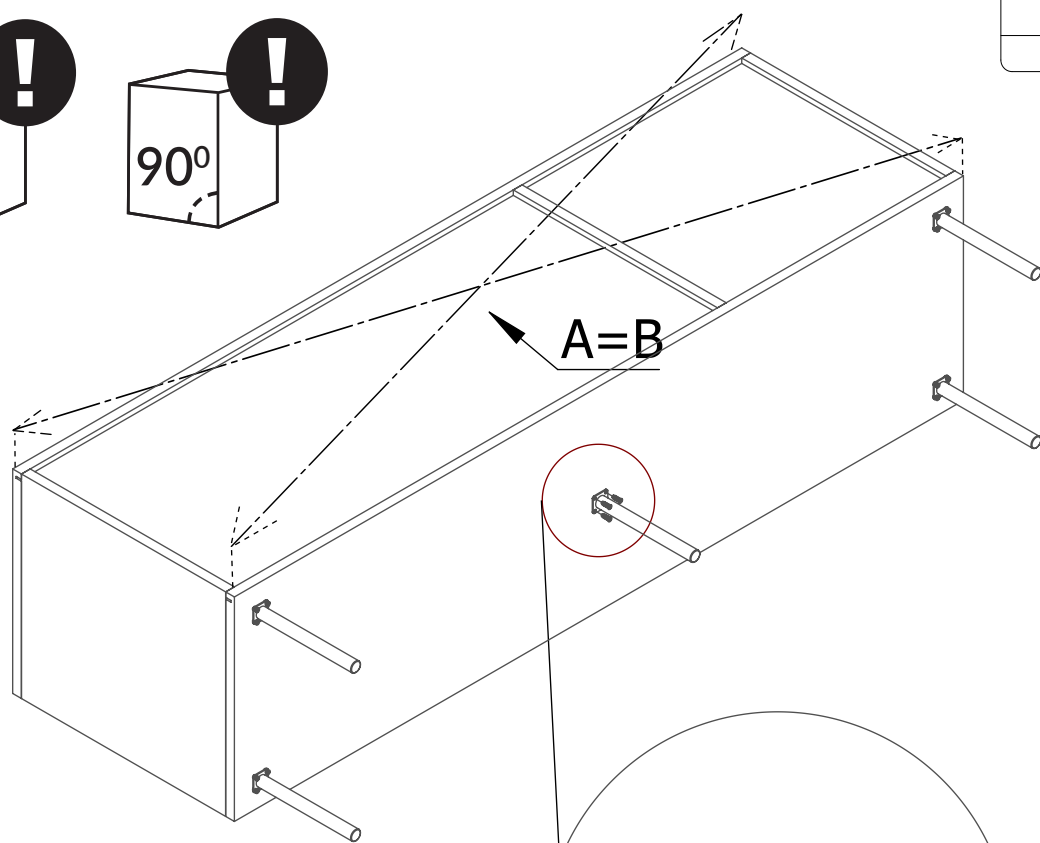
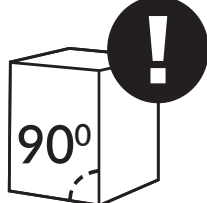
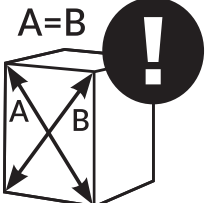



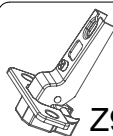
M1  4
--






W4x16  20	NB  5	STB  10
--	---	---



Z15  2	Z9  4
---	--

W4x16  12
--

